

# 452.5MHz SMD SAW FILTER

AFS453.0W04-TS3



**RoHS**  
Compliant



3.8 x 3.8 x 1.5mm

## FEATURES:

- 3.8 x 3.8 x 1.5mm SMD package
- Low insertion loss
- High input power

## APPLICATIONS:

- Low-loss TX filter for CDMA450
- Wireless communication
- PDA

## STANDARD SPECIFICATIONS:

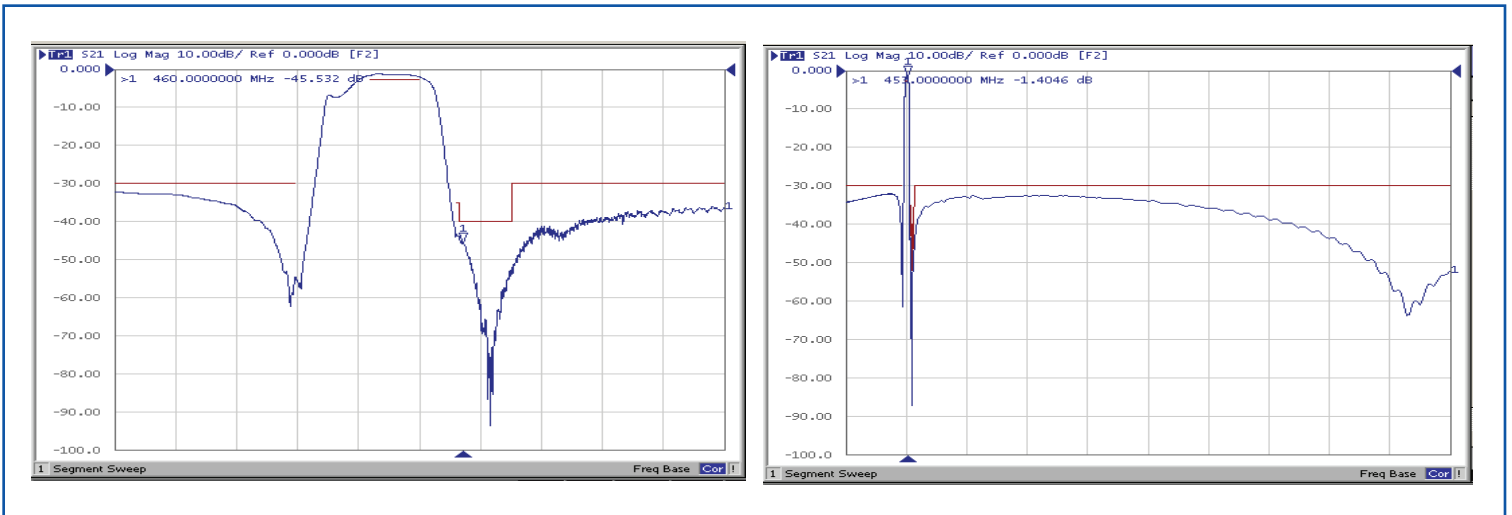
### MAXIMUM RATINGS

Item	Value
Operation Temperature Range	-30°C to +80°C
Storage Temperature Range	-40°C to +85°C
DC Permissive Voltage	10V DC max.
Maximum Input Power	27 dBm

### ELECTRICAL CHARACTERISTICS

Item	Frequency (MHz)	Specification
Center Frequency (fo)	452.5	
Insertion Loss	450.0 ~ 455.0	2.8 dB max.
VSWR	450.0 ~ 455.0	1.7 : 1 max.
Relative Loss	0.3 ~ 440.0	30 dB min
	460.0 ~ 460.3	35 dB min
	460.3 ~ 465.0	40 dB min
	465.0 ~ 1800.0	30 dB min
Temperature Coefficient of Frequency		-30ppm/°C
Terminating Source Impedance		50Ω
Terminating Load Impedance		50Ω

## FREQUENCY CHARACTERISTICS:



# 452.5MHz SMD SAW FILTER

AFS453.0W04-TS3

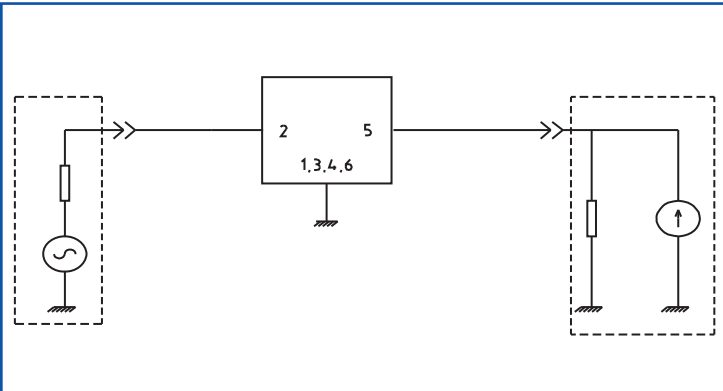


RoHS  
Compliant

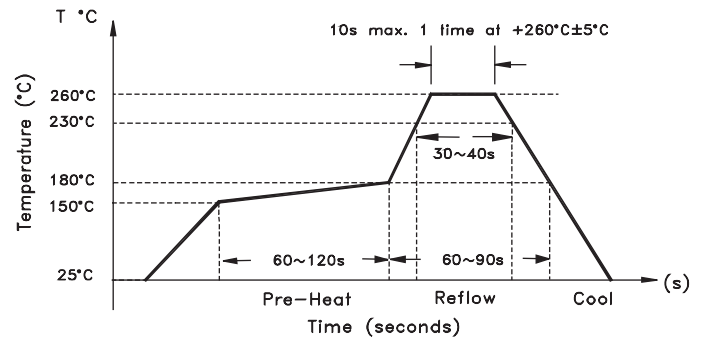


3.8 x 3.8 x 1.5mm

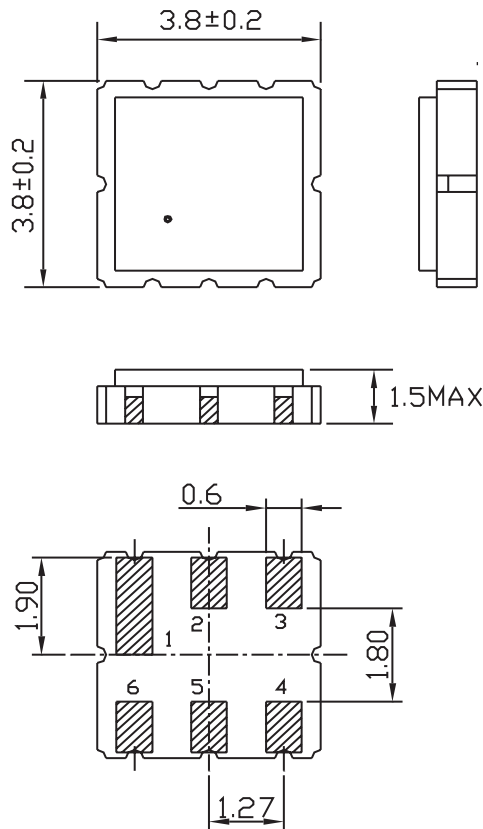
## TEST CIRCUIT:



## REFLOW PROFILE:



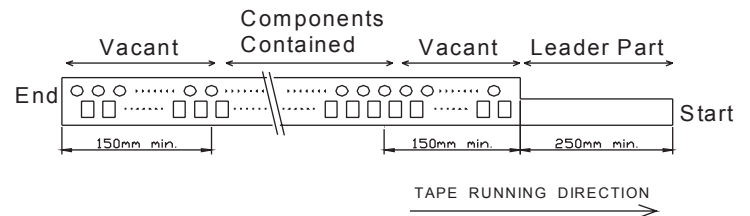
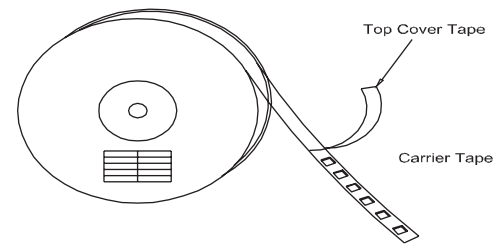
## OUTLINE DIMENSIONS:



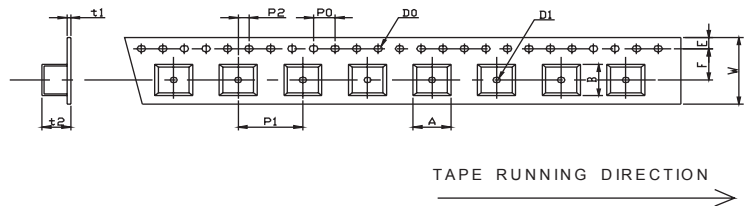
Dimension : mm

Pin No.	Function
Pin 2	Input
Pin 5	Output
Other	Ground

## TAPE & REEL: Tape and reel (1,000pcs/reel)



## TAPE & REEL DIMENSION AND PARTS DIRECTION



Dimension : mm

W	F	E	P0	P1	P2	D0	D1	t1	t2	A	B
12.0	5.5	1.75	4.0	8.0	2.0	Φ1.5	Φ1.5	0.31	1.95	4.1	4.1
±0.3	±0.1	±0.1	±0.2	±0.1	±0.2	±0.1	±0.25	max.	max.	max.	max.

**NOTE:** Abracon manufactured products are intended for general commercial and industrial use. For applications requiring high reliability and/or presenting extreme operating environment, written consent & authorization from Abracon is required.